

ALL WEATHER GREENHOUSE

RESIDENTIAL KIT MANUAL

Congratulations on your purchase of AWG Residential greenhouse kit. Included you will find care instruction, warranty information & installation instructions. This is a General Manual that covers a spectrum of AWG Residential Greenhouse Kits. Refer to your specific Manual and packing list. This General Manual is designed to help installers and owners install their kits. While AWG Inc ALWAYS Recommends Professional Installation, our kits are specifically designed for not just strength, and longevity, but ease of installation as well.

Your New Greenhouse System is not only the strongest Residential Kit on the market, but also has the longest warranties of any residential greenhouse in the industry. Proper installation and care for your product are key to the longevity of your products.

Packing List: (General. Refer to your kits packing list for specific component lists).

1. Pre-Assembled Truss Sections- RF
2. Columns- EC
3. Girts- G
4. Purlin- P
5. Glass Door Package
6. Roof & Wall Polycarbonate
7. H Channel
8. J Channel
9. Ridge Cap
10. Corner Trim

11.Ridge Trim

12.Eve Trim

13.Exhaust Vent

14.Fasteners Box- Frame Bolts, Frame Clip Screws, Poly Screws w/lin neo washers, pan head j channel screws, Column Facia Caps, Sillicone

Installation

Step 1:

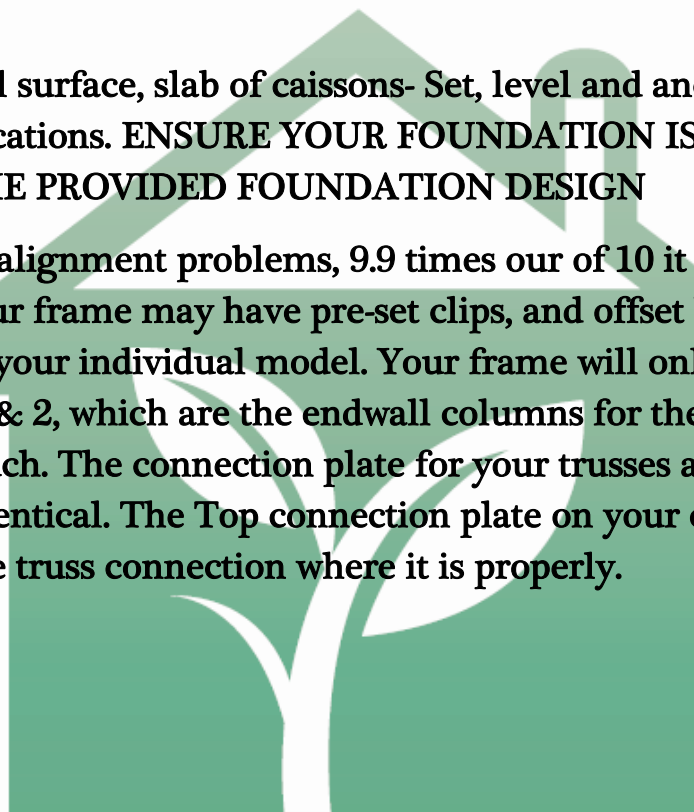
After unpackaging and laying out all your components, in a clean dry area, ensure to keep stored in dry place out of weather until installation. Verify Your Packing List Shipped with your Greenhouse with all components on hand.

Tip: Remove Poly cover plastic immediately. Improper storage may result in permanent adhesion of cover plastic not covered under warranty. Store out of direct sunlight until time of installation. Do not store in open fields.

Step 2:

On a level surface, slab of caissons- Set, level and anchor columns in their correct locations. **ENSURE YOUR FOUNDATION IS SQUARE AND LEVEL PER THE PROVIDED FOUNDATION DESIGN**

If you run into alignment problems, 9.9 times out of 10 it is due to your foundation. Your frame may have pre-set clips, and offset base plates determined by your individual model. Your frame will only assemble in 1 direction. EC 1 & 2, which are the endwall columns for the Door side shall be labeled as such. The connection plate for your trusses and base plates are not punched identical. The Top connection plate on your column is marked the same on the truss connection where it is properly.

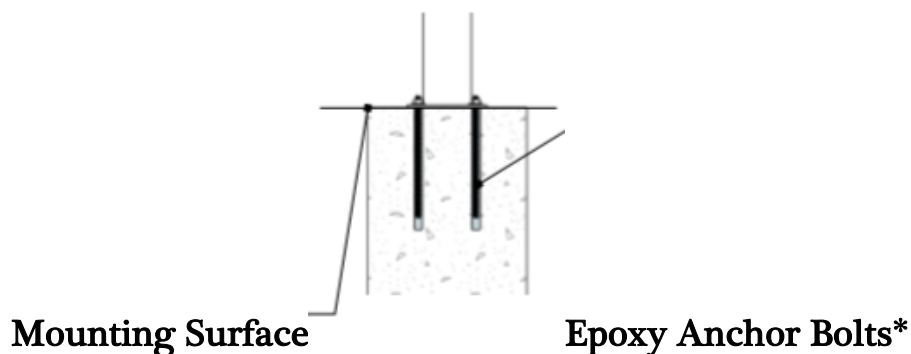


Frame Parts:**EC1. EC2. EC3. EC4. = “Endwall Column”****RF= “Rigid Frame”- Roof Truss****“P”= Purlin:** Roof secondary framing that attach trusses together, & Roof panels are fastened to.**“G”= Girt:** Wall Framing that attaches columns together, supports components, and wall panels are fastened to.**Column Anchor Points:**

In your greenhouse drawing package you will have a recommended foundation design. It is imperative that you attach your greenhouse to a foundation via anchor bolts as shown. AWG Inc carries no liabilities for improperly installed products. Ensure that you foundation is square, level and installed per specs prior to installing your greenhouse. See anchor detail below.

Step 2 “Continued”:

Set all columns on anchor bolts in their designated locations. Hand tight anchor bolt nuts, leaving final tightening until the entire frame is installed and level. If necessary, metal shims and adjusting the anchor bolts can assist in properly leveling your greenhouse frame system.

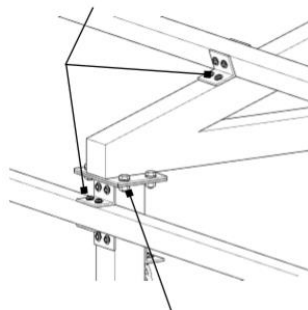
**2. Wall Framing: Girts**

With you frame system properly layed out, all clips pre-installed, begin setting girts & fastening them via the supplied self tapping steel fasteners. Ensure each column is level and square prior to attaching clip to girts. Install sidewall girts and necessary temps prior to setting trusses.

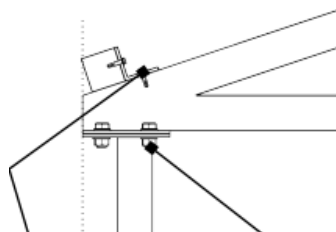
Step 3: Using an impact driver & provided self tapping 3/8 hex screws- (<https://www.homedepot.com/p/Milwaukee-M18-18-Volt-Lithium-Ion-Compact-Brushless-Cordless-1-4-in-Impact-Driver-Kit-W-1-2-0-Ah-Battery-Charger-Tool-Bag-2850-21P/305529329>) or equivalent, install girts at their designated locations. Side wall girts will attach bypass(exterior of frame). Endwall Girts will attach flush(inside of frame. Ensure your frame is square prior to setting trusses. Use 3/4/5, or X measure, measuring the corner to diagonal opposite corner and adjust until the measurement is equal. ***DO NOT OVER TIGHEN AND STRIP SCREWS***

PURLINS AND GIRTS

PURLIN AND GIRT:
L ANGLE CLIP
2X2X1/8
BOTH SIDES
FASTEN WITH
FOUR #10 STS
SCREWS PER CLIP



TRUSS TO COLUMN:
FOUR 1/2 x 2" BOLTS



Step4 :

Attach Roof Trusses using the provided A325 Bolts. Bolts face down, with the nut on the bottom of the connection. Using a 7/8, tighten bolts completely. If your trusses are directional or numbered different, marking on truss will show directions.

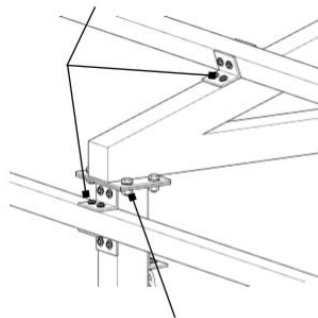
Step 5:

Attach Roof Purlins- P1 To clips using self tapping fasteners.

Step 5: Using C-Clamps is one technique to ensure that you attach the purlins to the roof trusses evenly. All Clips are pre-drilled, 2 fasteners are used per clip attachment point. Do not leave blank holes.

PURLINS AND GIRTS

PURLIN AND GIRT:
L ANGLE CLIP
2X2X1/8
BOTH SIDES
FASTEN WITH
FOUR #10 STS
SCREWS PER CLIP



TRUSS TO COLUMN:
FOUR 1/2 x 2" BOLTS

Step 6:

Install Walk Door & Exhaust vent. Manufacturer installations included in item packages.

Step 7:

Install Wall & Roof PolyCarbonates using supplied screws & 1 inch neoprene washers. Use H channel for panel splices. Use J channel for base track, and screw j channel to frame using pan head screws supplied. J channel is installed at base of panels, both roof & Wall. Eve Trim(2inx4in galv) is installed over the top of the wall panel, and under the roof panel.

Step 7: When Install the eve trim, there shall be a small air gap inbetween the eve trim and the top of the wall panel. To achieve fastening the trim & panel more successfully, you may need to pre-drill the screw hole with a #30 or 1/8in high speed steel drill bit. After you have pre-drilled each holes, install each fastener, ensuring not to over torque the fastener. The slope of the top leg of the eve trim will sit flush over the top of the eve purlin.

If your package option has the pre-cut panel option, disregard the next few sentences. If your package option is not the additional optional pre-cut all panels and material options, you will need to field cut as needed the end wall panels to match the slope of your roof, as well as your trims. Your Side wall and Roof Panels are Pre-cut to size with either option. It is recommended that the full panel is attached prior to cut, to ensure correct cuts the first time, measure twice, cut once.

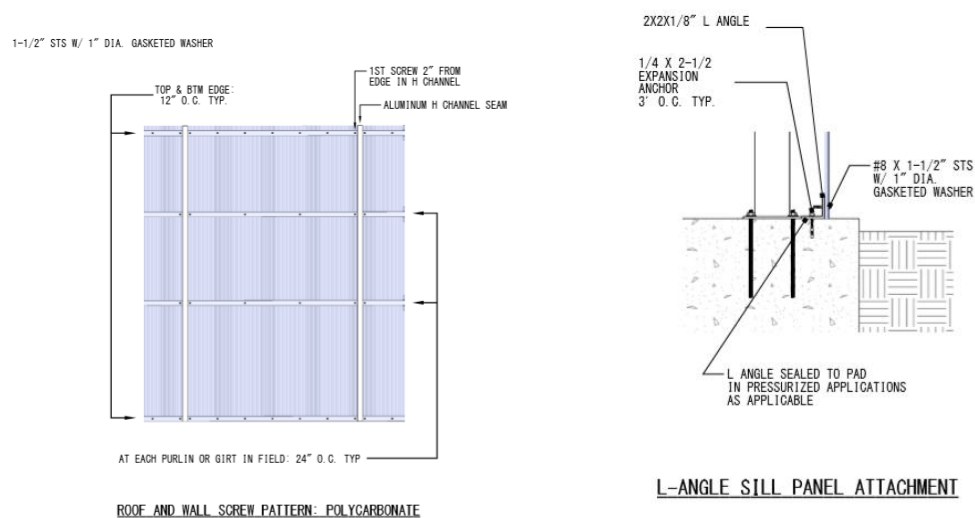
In your accessory box you will find dual clips that's that you will screw together using the 1" self tapping screws to screw together in a Z shape. Then, at the base of each column on the sides with the pre-attached girt clip, attach the Z clip to the bottom of the column. The J Channel will attach to the Z clip using the Pan Head phillips drive screws, @ 2 per clip.

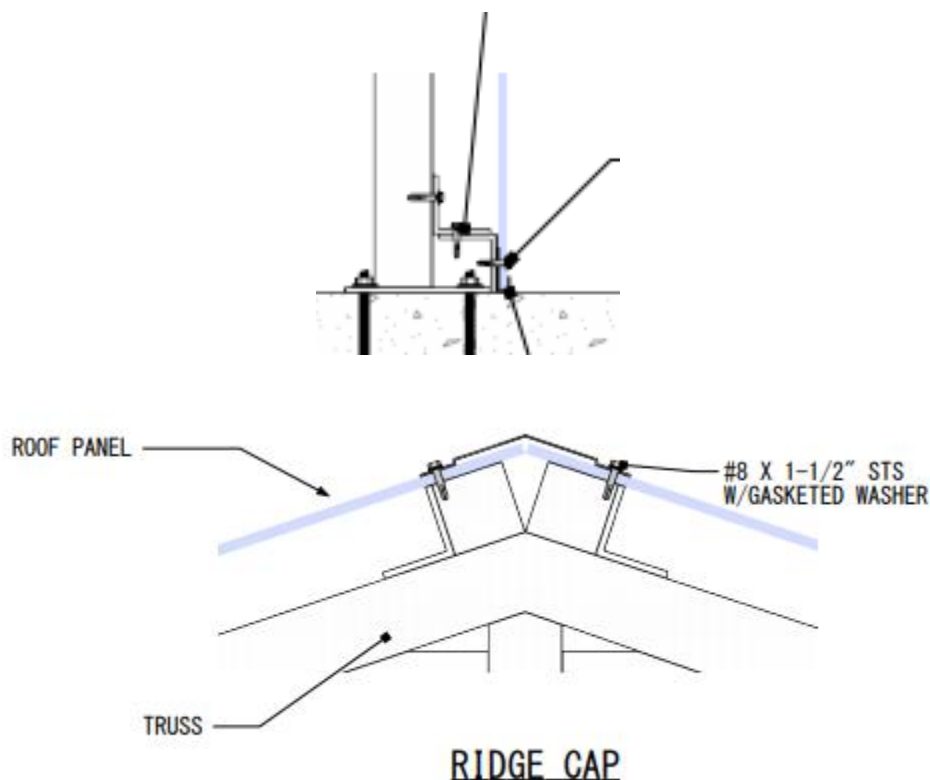
The base of your wall panels will sit in this J channel Track and attach via the 1 ½ self tapping screws w/1" neoprene washer.

The 4" x 2" L angle trim will attach over the wall panel and under the roof panel. The supplied rolls of buytl tape is to be applied under the roof panel on top of the L angle and under your ridge cap to ensure air tight seal.

*Step 7 Repeated.

Field cut door trim, Rake trim, and Corner trim to fit.





Step 8:

Install Corner, Ridge Cap and Rake Trim using provided 3/8 hex screws into frame location. Additional screws can be used to close any gaps that may occur.

****DO NOT OVER TORQUE SCREWS**** - if this occurs, replace new screw in new hole. Pre-drill & or remove all metal shavings during installation. Rust marks from metal shavings not properly removed during install are not covered under warranty.

WARRANTY INFORMATION

<u>Item:</u>	<u>Warranty Period:</u>	<u>Warrantor:</u>
<i>Frame System</i>	<i>25 Years</i>	<i>AWG</i>
<i>Polycarbonate</i>	<i>15 Years</i>	<i>Marcolux/AWG</i>

Door/Louwer

10 Years

Manufacturer

IF YOUR PRODUCT CAME WITH PRE-CUT POLY PANELS, MINOR MARKING MAY OCCUR AND IS NOT COVERED UNDER WARRANTY. PANELS AND FRAME MAY BE PRE-ASSEMBLED WITH CLIPS PRE-DRILLED OR ATTACHED FOR END USER EASE OF INSTALLATION. THESE ARE NOT USED PRODUCTS, AND ARE MANUFACTURED TO SUIT.

RUST PROOF GUARANTEE DEFINITION: *Rust proof warranty covers your frame system from complete rust corrosion only. Minor bleeding or spotting is not covered under this warranty. If you have minor rust marks showing up on your frame system, it is most likely from a metal shaving not removed during installation.*

Polycarbonate 15 Year Warranty Definition: *Your poly carbonate is covered for up to 15 years under the terms of this warranty. The first 10 years are non-prorated, and an additional 5 years is included above that at a prorated percentage determined by the manufacturer Marcolux. Your project has been assigned a job number for tracking purposes of tracking this warranty information. Panels must be installed correctly and right side out for warranty to be reviewed at event of loss.*

Light Transmission: Loss of light transmission over 11% is covered under warranty. Any painting or modification to the panel surface voids this warranty aspect. Panels installed incorrectly (uv side in) are not covered.

Hail: Complete hail penetration done by hail under 24mm in circumference is covered under warranty. Larger hail events are subject to manufacturer discretion. National & Local weather reports must be consistent with claim for warranty coverage.

Yellowing: If your panel begins to turn yellow, there is a 99% probability that it has been installed UV side in, which is incorrect. If your panel has not been ordered specifically by you to have dual UV, it will have a marked

inside and outside”. Installing panels facing incorrect directions is not covered under warranty. Small samples may be requested to be supplied by owner @ owners shipping expense to determine this type of warranty claim. In the unlikely event that your panels have yellowed due to a chemical resin flaw, your panels are covered under this warranty.

For questions, or replacement parts – (303)588-1566.

Congratulations on your new Efficient Greenhouse Kit/System!

Thank You,

AWG INC, (all weather greenhouse)

Allweathergreenhouse.com

(303)588-1566

customerservice@allweathergreenhouse.com

TOOLS REQUIRED FOR INSTALLATION:

Screw Gun/Impact Driver & Skill or Jig saw

Hex 3/8 driver. Phillips #2 Driver, #30 steel drill bit

C-Clamps/Vise Grip Needle Nose Clamps

Level

String Line/Chalk Line

3/8 Concrete Bit

Hammer Drill

Hammer

7/8 Box Wrench

***DO NOT USE ACID OR BLEACH OF ANY KIND TO CLEAN- WATER ONLY, IMMEDIATELY DRY IF POSSIBLE**



*** Use proper PPE including safety glasses, gloves, and common sense**

***The strength and quality of your power tools will directly determine the ease of installation. Off brand & or under powered tools are not recommended due to inability to function properly.**

Thank you for your business, and congratulations on your new AWG Efficient Greenhouse System!